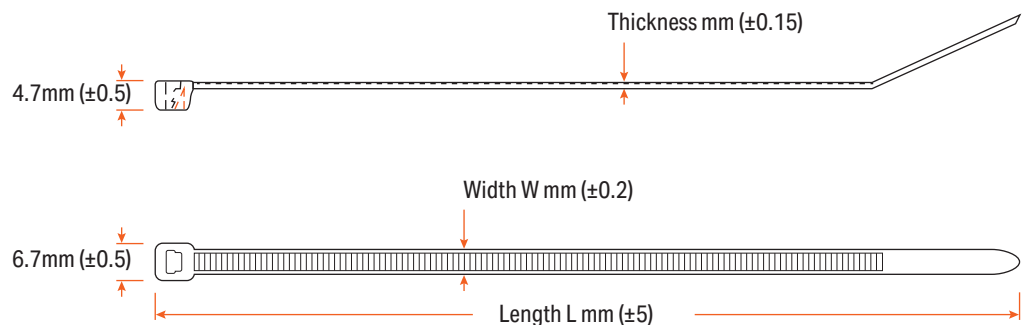
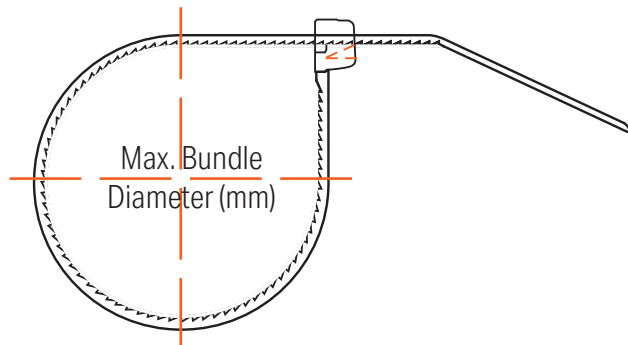


Coloured Cable Ties

Intermediate Range

- **Material:** UL approved Nylon 66, 94V-2.
- **Feature:** High tensile strength with low insertion force.
Excellent resistance to weathering and ageing.
Suitable for a multitude of uses in various industries.
- **Application:** Self-locking for fast and easy application.
- **Operating Temperature:** -40°C to +85°C.



Coloured Cable Ties

Intermediate Range

Item No.	Colour	Width W (mm)	Thickness (mm)	Length L (mm)	Max. Bundle Diameter (mm)	Min. Tensile Strength (kg)
TR2-BLUE	Blue	3.6	1.4	150	36	18
TR2-BROWN	Brown	3.6	1.4	150	36	18
TR2-GREEN	Green	3.6	1.4	150	36	18
TR2-ORANGE	Orange	3.6	1.4	150	36	18
TR2-PURPLE	Purple	3.6	1.4	150	36	18
TR2-RED	Red	3.6	1.4	150	36	18
TR2-SILVER	Silver	3.6	1.4	150	36	18
TR2-YELLOW	Yellow	3.6	1.4	150	36	18
TR7-BLUE	Blue	3.6	1.4	292	76	18
TR7-BROWN	Brown	3.6	1.4	292	76	18
TR7-GREEN	Green	3.6	1.4	292	76	18
TR7-ORANGE	Orange	3.6	1.4	292	76	18
TR7-PURPLE	Purple	3.6	1.4	292	76	18
TR7-RED	Red	3.6	1.4	292	76	18
TR7-SILVER	Silver	3.6	1.4	292	76	18
TR7-YELLOW	Yellow	3.6	1.4	292	76	18

STORAGE AND USAGE OF NYLON CABLE TIES

BEAL UK cable ties are made from high quality Nylon 66 resin. Moisture absorption is an essential factor for this material to retain its strength and maintain optimal performance. To this end, it is important for the cable ties to be kept in a sealed package wherever possible.

Below are some helpful storage suggestions:

1. The ideal storage temperature is around 23°C with the humidity over 50%.
2. Do not open the bag before use. Please try to finish the whole package of cable ties shortly after opening or reseal the bag until you are ready to use again.
3. Do not expose directly under sunlight (except UV weather resistant cable ties).
4. Avoid storing cable ties close to warm objects (such as heaters).